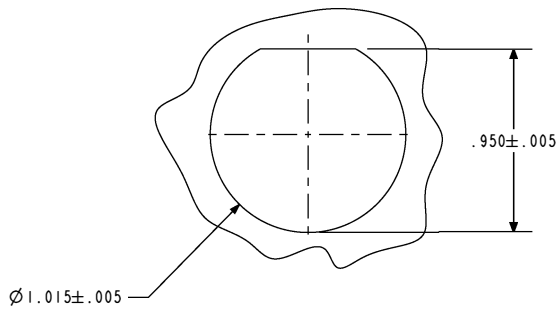
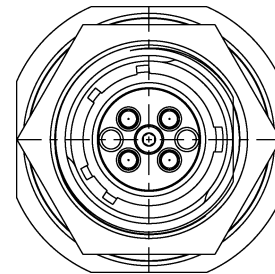
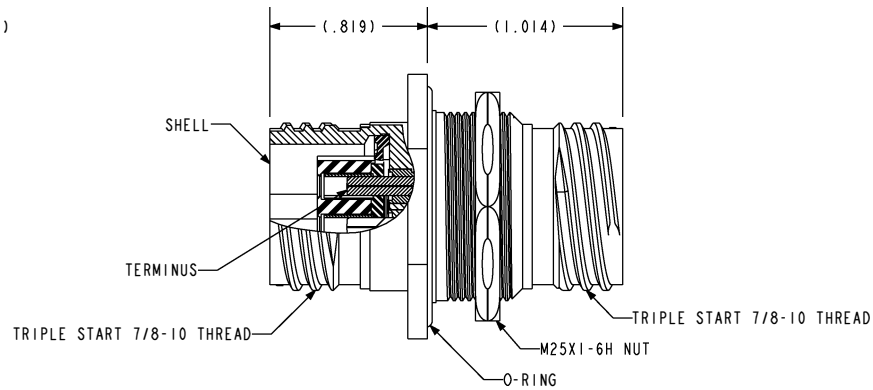
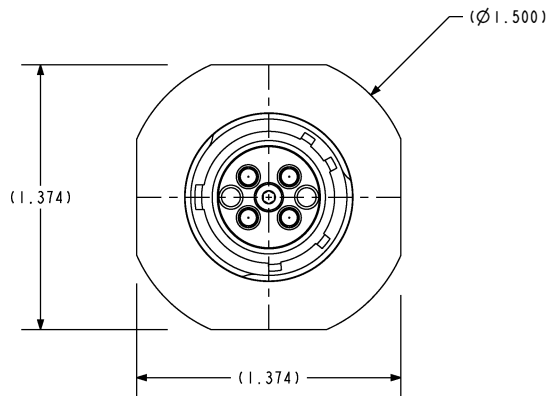
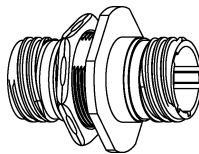


NOTES:

1. HERMETIC LEAK RATE: $\leq 1 \times 10^{-9}$ CC/SEC He AT 1 ATM DIFFERENTIAL PRESSURE.
2. MATEABLE TO SOURIAU EL10[®] CONTACT 13-04, BOTH SIDES.
3. OPTICAL REQUIREMENTS:
 ATTENUATION (INSERTION LOSS): 0.3 dB MAXIMUM PER INTERFACE.
 RETURN LOSS: 20 dB MINIMUM PER INTERFACE.
4. MATERIALS:
 SHELL: STAINLESS STEEL.
 FERRULE: ZIRCONIA.
 FIBER: MULTIMODE 50/125.
 INSULATOR: KRYOFLEX 313 PROPRIETARY POLYCRYSTALLINE CERAMIC.
 O-RING: SIZE 24 PER AS3582 OR AMS 3325.
 JAM NUT: CRES STAINLESS STEEL.
5. ORDERING INFORMATION: 94380-4.



RECOMMENDED HOLE DETAIL



SHOWN IN ISO VIEW
SCALE 0.500

HERMETIC SOLUTIONS GROUP
Enabling Technology

TITLE:
CONNECTOR, EL10, 38999/24 SERIES III, 13-04 (50/125), SST

THIRD ANGLE PROJECTION

 CAGE CODE: 64567

VERSION: C.0
 RELEASE DATE: 03-02-09

SALES DRAWING

SHEET: 1 OF 1

DOCUMENT: 0-94380